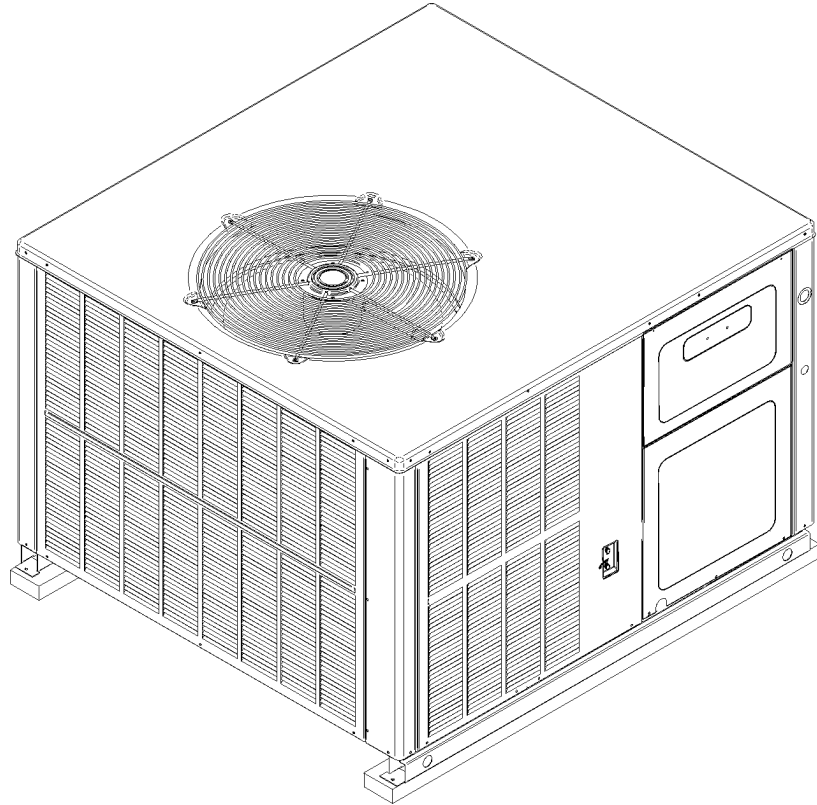


**GPH16 "M" Residential Package Heat Pump**

GPH1624M41AA  
GPH1630M41AA  
GPH1636M41AA  
GPH1642M41AA  
GPH1648M41AA



This manual is to be used by qualified technicians only.

© 2015 Goodman Company, L.P. ♦ 5151 San Felipe St., Suite 500 ♦ Houston, TX 77056

# Important Information

---

## Index

Functional Parts List .....	3
Illustration and Parts .....	4 - 11

*Views shown are for parts illustrations only, not servicing procedures*

### Text Codes:

AR - As Required

NA - Not Available

NS - Not Shown

00000000 - See Note

QTY - Quantity Example (QTY 3) (If Quantity not shown, Quantity = 1)

M - Model Example (M1) (If M Code not shown, then part is used on all Models)

### Expanded Model Nomenclature:

Example M1 - Model#1 M2 - Model#2 M3 - Model#3
---

Goodman Company, L.P. is not responsible for personal injury or property damage resulting from improper service. Review all service information before beginning repairs.

Warranty service must be performed by an authorized technician, using authorized factory parts. If service is required after the warranty expires, Goodman Company, L.P. also recommends contacting an authorized technician and using authorized factory parts.

Goodman Company, L.P. reserves the right to discontinue, or change at any time, specifications or designs without notice or without incurring obligations.

For assistance within the U.S.A. contact:

Consumer Affairs Department  
Goodman Company, L.P.  
7401 Security Way  
Houston, Texas 77040  
877-254-4729-Telephone  
713-863-2382-Facsimile

For assistance outside the U.S.A. contact:

International Division  
Goodman Company, L.P.  
7401 Security Way  
Houston, Texas 77040  
713-861-2500-Telephone  
713-863-2382-Facsimile

# Functional Parts

## Part

## No: Description:

---

0130M00242	24V RELAY
D6723303	BLOWER WHEEL
CAP050300440CS	CAP,5/30MFD/440V/DUAL RD (M5)
CAP050350440CS	CAPACITOR 5/35/440V (M1)
CAP050400440CT	CAPACITOR 5/40/440V/DUAL RD (M2, M3)
CAP050450440CT	CAPACITOR 5/45/440V/DUAL RD (M4)
ZPS20K5EPFV130	COMP, 20000,208/130 (M1)
ZPS30K5EPFV130	COMP,30000,208/230 (M3)
ZPS40K5EPFV130	COMPRESSOR 41100, 208/230/60/1 (M5)
ZPS26K5EPFV130	COMPRESSOR, COPELAND (M2)
ZPS35K5EPFV130	COMPRESSOR, COPELAND (M4)
0131M00061	COND MOTOR 1/4 HP, 1 SP, 8 PL (M1, M2, M3)
0131M00429	COND MOTOR 1/4 HP, 1 SP,6 PL (M4, M5)
CONT1P025024V	CONTACTOR 25 AMP, 1P, 24V (M1, M2, M3)
CONT1P030024V	CONTACTOR 30 AMP, 1P, 24V (M4)
CONT2P040024V	CONTACTOR 40 AMP, 2P, 24V (M5)
0130M00197	CONTROL, DEFROST
0163R00022	CRANK CASE HEATER (M1, M2, M3)
0163R00021	CRANK CASE HEATER (M4, M5)
0130M00074	CUT-OUT SWITCH, HIGH PRESSURE
0130M00075	CUT-OUT SWITCH, LOW PRESSURE
PCBDM133	DEFROST CONTROL BOARD
0150G00002	FAN BLADE SWEPT-WING
0131G00030	PROGRAMMED MOTOR (M3)
0131G00086	PROGRAMMED MOTOR (M4)
0131G00032	PROGRAMMED MOTOR (M5)
0131G00084	PROGRAMMED MOTOR (M1)
0131G00085	PROGRAMMED MOTOR (M2)
0151R00071	REVERSING VALVE (M4, M5)
0151R00069	REVERSING VALVE (M1, M2, M3)
B1225022	SOLENOID COIL
0130M00199	SWITCH, CRANK CASE HEATER
0130M00138	TRANSFORMER 208/230, 24V

### Expanded Model Nomenclature

M1 - GPH1624M41AA
M2 - GPH1630M41AA
M3 - GPH1636M41AA
M4 - GPH1642M41AA
M5 - GPH1648M41AA

# Cabinet Assembly

Image 1

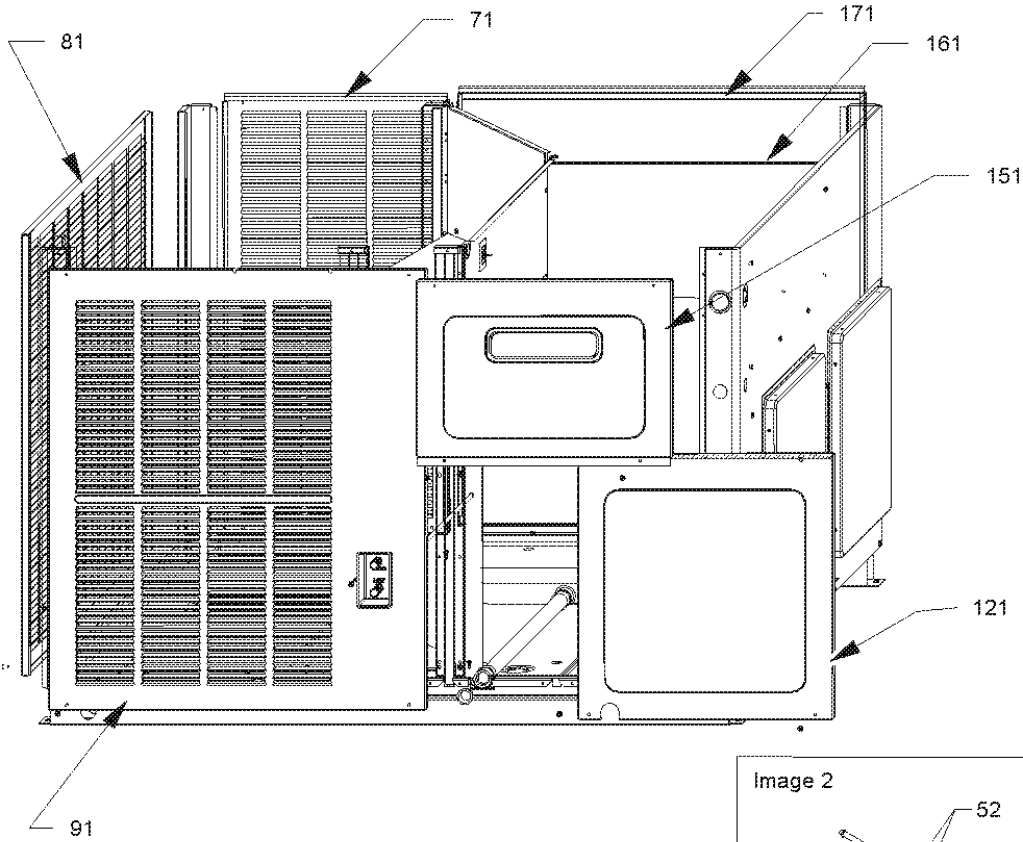
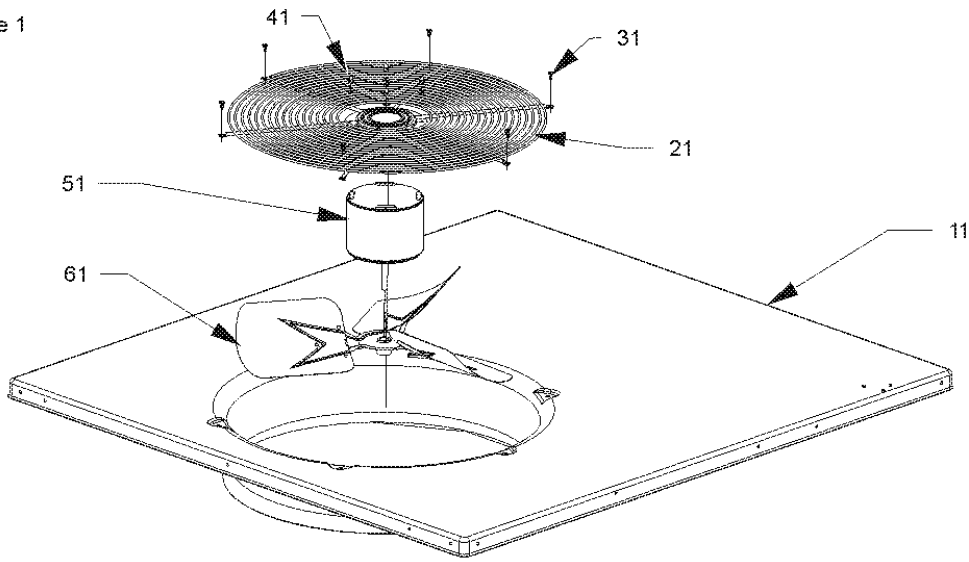
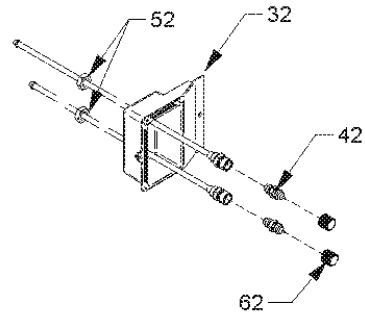


Image 2



# Cabinet Assembly

Ref. Part No: No:	Description:	Ref. Part No: No:	Description:
-------------------	--------------	-------------------	--------------

**Image 1:**

11	0121G00156PDG	PNL, TOP, PNT
21	0152G00000	FAN GRILLE, RAISED
31	B1393530	SCREW HWH,10 X 1/2, A, YZD, SLOT, SR (M4, M5)
31	M0221817	SMALL SCREW (M1, M2, M3)
41	0163M00006P	ACORN NUT 5/16 HEX BLACK (QTY 4)
51	0131M00061	COND MOTOR 1/4 HP, 1 SP, 8 PL (M1, M2, M3)
51	0131M00429	COND MOTOR 1/4 HP, 1 SP,6 PL (M4, M5)
61	0150G00002	FAN BLADE SWEPT-WING
71	20467701PDG	LOUVERED PANEL, COND SIDE 32" (M1, M2, M3)
71	20467702PDG	LOUVERED PANEL, COND SIDE 40" (M4, M5)
81	20464401PDG	LOUVERED PANEL, COND SIDE 32" (M1, M2, M3)
81	20464402PDG	LOUVERED PANEL, COND SIDE 40" (M4, M5)
91	0121G00144PDG	LOUVERED PANEL 2 BANK 32.5", COMP SIDE (M1, M2, M3)
91	0121G00145PDG	LVR, COMP, 2BANK, CNVRT, 40" (M4, M5)
121	0121G00165PDG	PNL, BLO, CNVRT, 32.5", PNT (M1, M2, M3)
121	0121G00168PDG	PNL, BLO, CNVRT, 40", PNT (M4, M5)
151	0121G00556	PL, LV BARRIER
161	0121G00591	BLK-OFF, EVAP, TOP, CNVRT (M4, M5)
161	0121G00592	BLK-OFF, EVAP, TOP, CNVRT (M1, M2, M3)
171	20464801PDG	BLOWER DOOR 32" (M1, M2, M3)
171	20464806PDG	BLOWER DOOR 40" (M4, M5)
NS	0121G00235	FAN BAFFLE
NS	17788000083F	PVC CONDUIT 8.25"

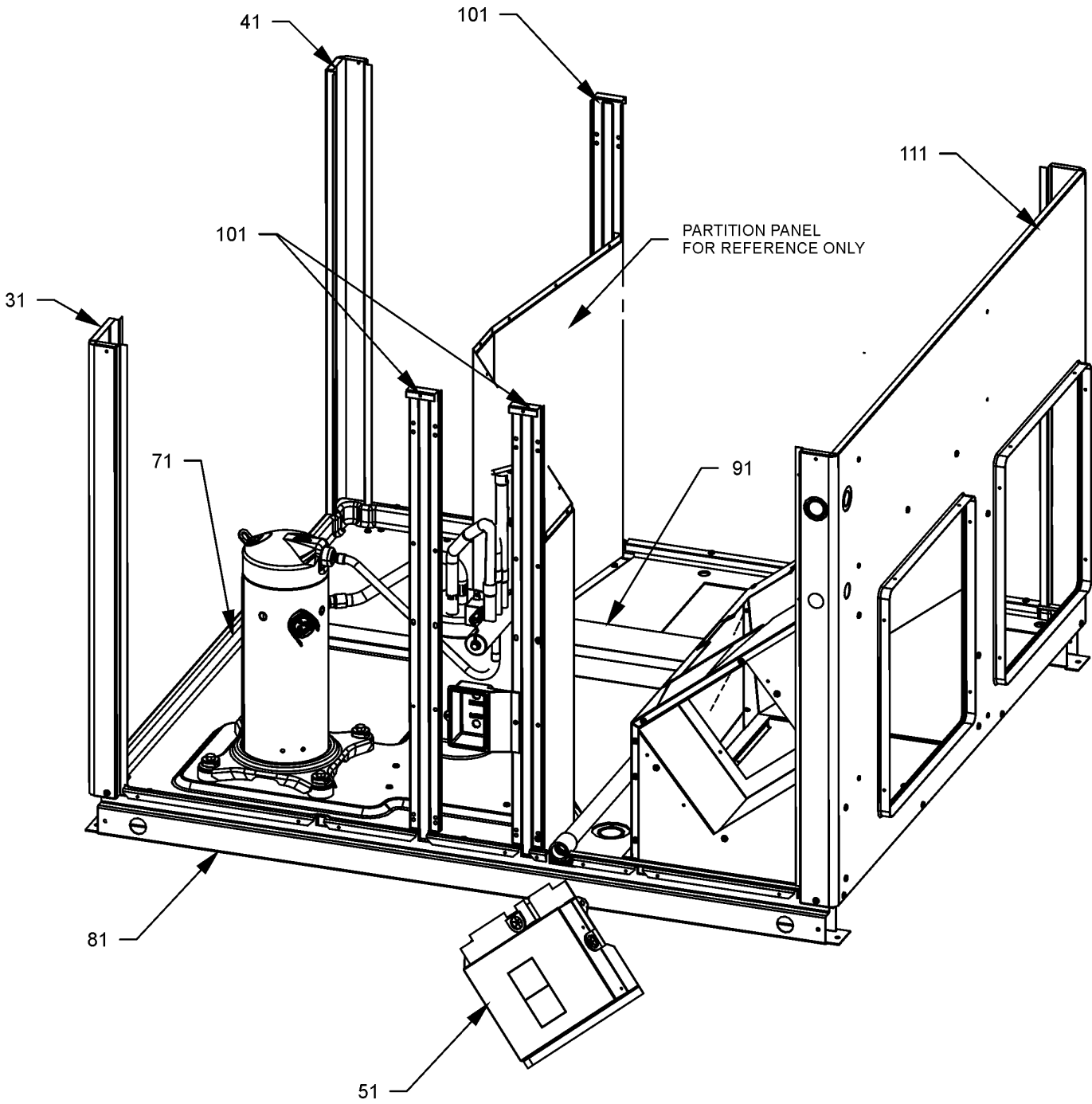
**Image 2:**

32	0161G00008	ACCESS-FITTING BOX
42	B1373315	ACCESS FITTING (QTY 2)
52	0163G00000P	FASTEST FITTING NUT (QTY 2)
62	0163M00175	CAP WITH O-RING (QTY 2)

**Expanded Model Nomenclature**

- |                   |
|-------------------|
| M1 - GPH1624M41AA |
| M2 - GPH1630M41AA |
| M3 - GPH1636M41AA |
| M4 - GPH1642M41AA |
| M5 - GPH1648M41AA |

# Panels and Supports



# Panels and Supports

Ref. Part No: No:	Description:	Ref. Part No: No:	Description:
-------------------	--------------	-------------------	--------------

---

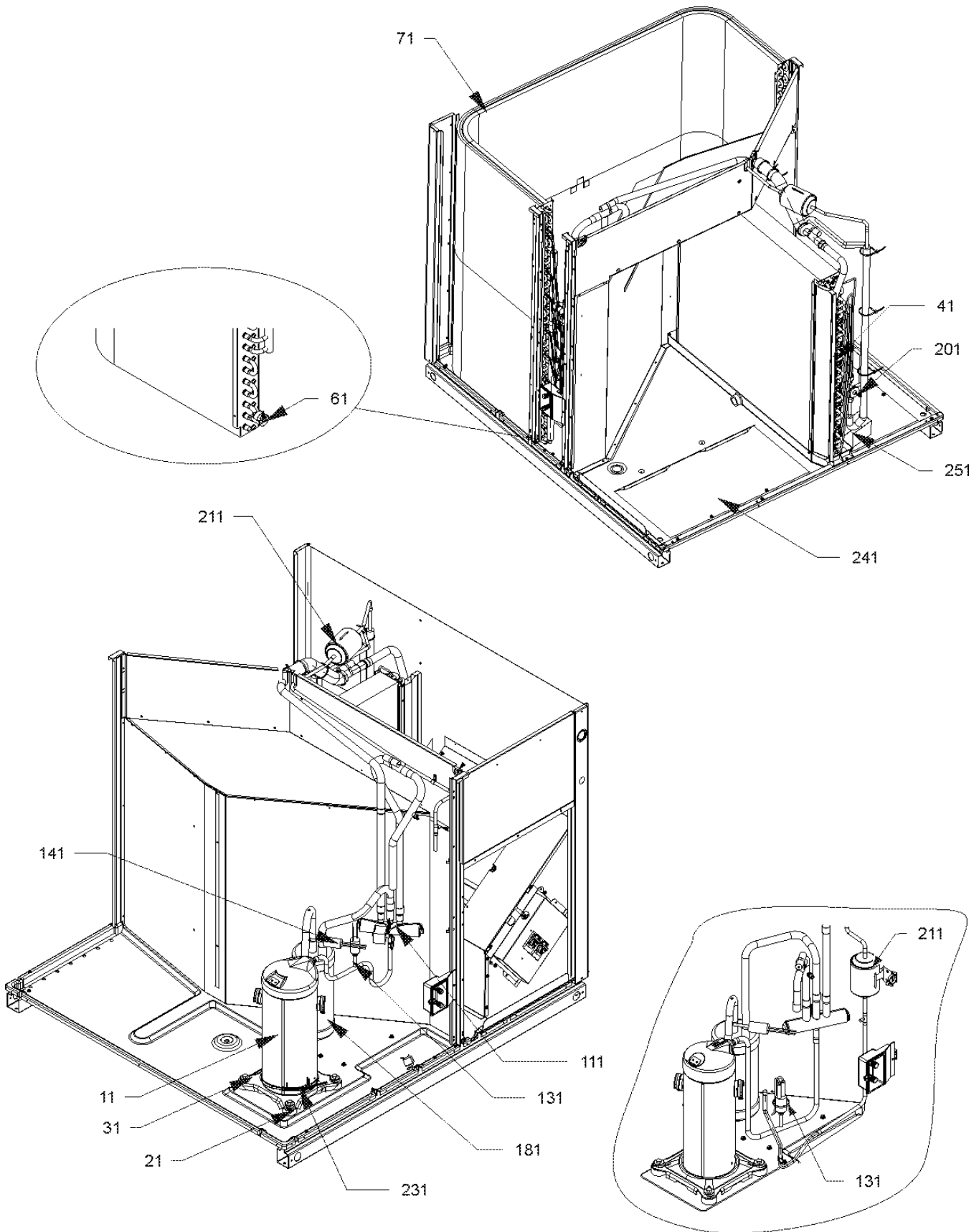
**Image 1:**

31	20464201PDG	CORNER POST-COMP END 32" (M1, M2, M3)
31	20464202PDG	CORNER POST-COMP END 40" (M4, M5)
41	20464301PDG	CORNER POST-HAIRPIN END 32" (M1, M2, M3)
41	20464302PDG	CORNER POST-HAIRPIN END 40" (M4, M5)
51	0121G00528	COVER, HK (QTY 2)
71	0121G00290	BASE PAN RAIL (QTY 2)
81	0121G00444	BASEPAN, PACKAGE
91	0161G00003	PLASTIC DRIP PAN (M4, M5)
101	0121G00460	POST-SUPPORT, SIDE (M1, M2, M3)
101	0121G00462	POST-SUPPORT, SIDE (M4, M5)
111	0121G00440	PNL, DUCT, CNVRT 32.5" (M1, M2, M3)
111	0121G00441	PNL, DUCT, CNVRT 40" (M4, M5)

**Expanded Model Nomenclature**

M1 - GPH1624M41AA
M2 - GPH1630M41AA
M3 - GPH1636M41AA
M4 - GPH1642M41AA
M5 - GPH1648M41AA

# Tubing & Coil Assemblies





# Tubing & Coil Assemblies

Ref. Part No: No:	Description:	Ref. Part No: No:	Description:
<i>Image 1:</i>			
11	ZPS20K5EPFV130		COMP, 20000,208/130 (M1)
11	ZPS30K5EPFV130		COMP,30000,208/230 (M3)
11	ZPS40K5EPFV130		COMPRESSOR 41100, 208/230/60/1 (M5)
11	ZPS26K5EPFV130		COMPRESSOR, COPELAND (M2)
11	ZPS35K5EPFV130		COMPRESSOR, COPELAND (M4)
21	B1339533		COMPRESSOR GROMMET (QTY 4)
31	M0221641		TF SHOULDER SCREW (QTY 4)
41	0202G00542		EVAP COIL ASSY (M5)
41	0202G00582		EVAP COIL ASSY (M1, M2)
41	0202G00583		EVAP COIL ASSY (M3)
41	0202G00707		EVAP COIL ASSY (M4)
61	0130M00197		CONTROL, DEFROST
71	0201G00383		COND COIL ASSY (M1, M2)
71	0201G00402		COND COIL ASSY (M4)
71	0201G00404		COND COIL ASSY (M3)
71	0201G00405		COND COIL ASSY (M5)
111	0151R00069		REVERSING VALVE (M1, M2, M3)
111	0151R00071		REVERSING VALVE (M4, M5)
131	0130M00074		CUT-OUT SWITCH, HIGH PRESSURE
141	0130M00075		CUT-OUT SWITCH, LOW PRESSURE
181	B1226206		ACCUMULATOR (M1, M2)
181	B1226207		ACCUMULATOR .875 (M3, M4, M5)
201	0151G00005		VALVE, NXT (M1, M2)
201	0151M00049		VALVE, NXT (M3, M4)
201	0151M00050		VALVE, NXT (M5)
211	20485201		BI-FLOW FILTER DRIER
231	0163R00021		CRANK CASE HEATER (M4, M5)
231	0163R00022		CRANK CASE HEATER (M1, M2, M3)
241	0121G00148		SINGLE COVER, DOWN DISCHARGE (QTY 2)
251	0121G00509		DRIP SHIELD
NS	0159G00002		COMPRESSOR SCROLL HARNESS (M1, M2, M3)
NS	0159G00004		COMPRESSOR SCROLL HARNESS (M4, M5)
NS	0159G00001		COMPRESSOR SOLENOID CABLE
NS	0162M00055		FLOWRATOR [COND] (M4, M5)
NS	0162M00274		FLOWRATOR [COND] (M1, M2, M3)
NS	0162M00324		FLOWRATOR [EVAP] (M1, M2, M3)
NS	0162M00325		FLOWRATOR [EVAP] (M4, M5)
NS	B1225022		SOLENOID COIL
NS	0130M00199		SWITCH, CRANK CASE HEATER

## Expanded Model Nomenclature

M1 - GPH1624M41AA
M2 - GPH1630M41AA
M3 - GPH1636M41AA
M4 - GPH1642M41AA
M5 - GPH1648M41AA

# Control Panel & Blower Assembly

Image 1

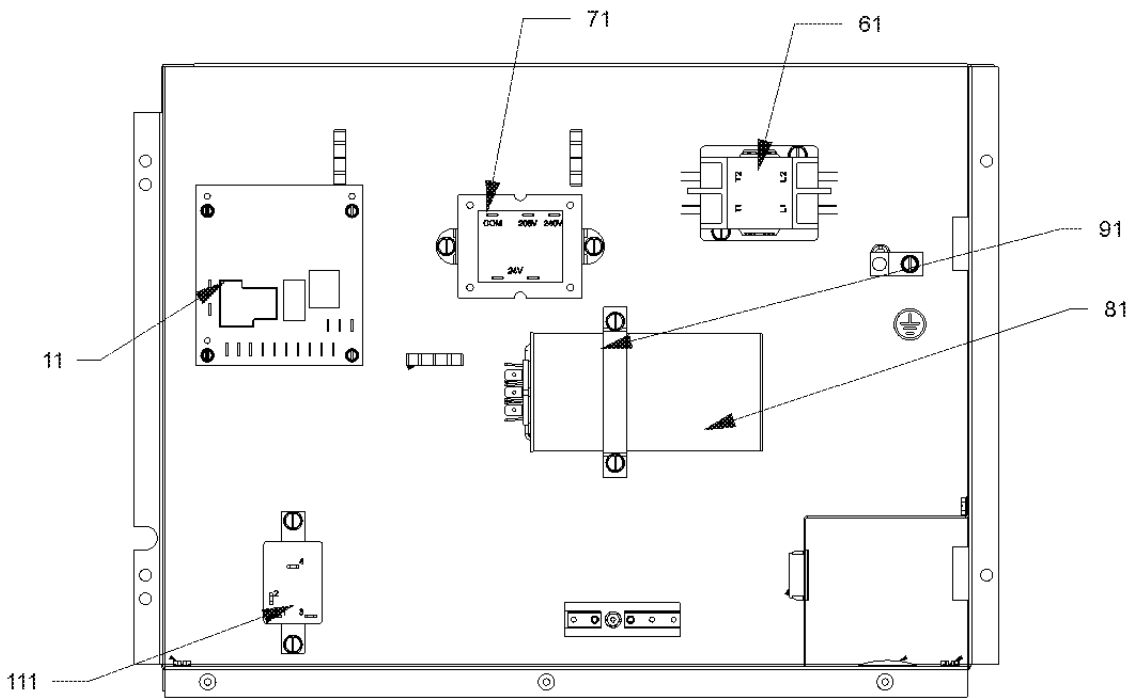
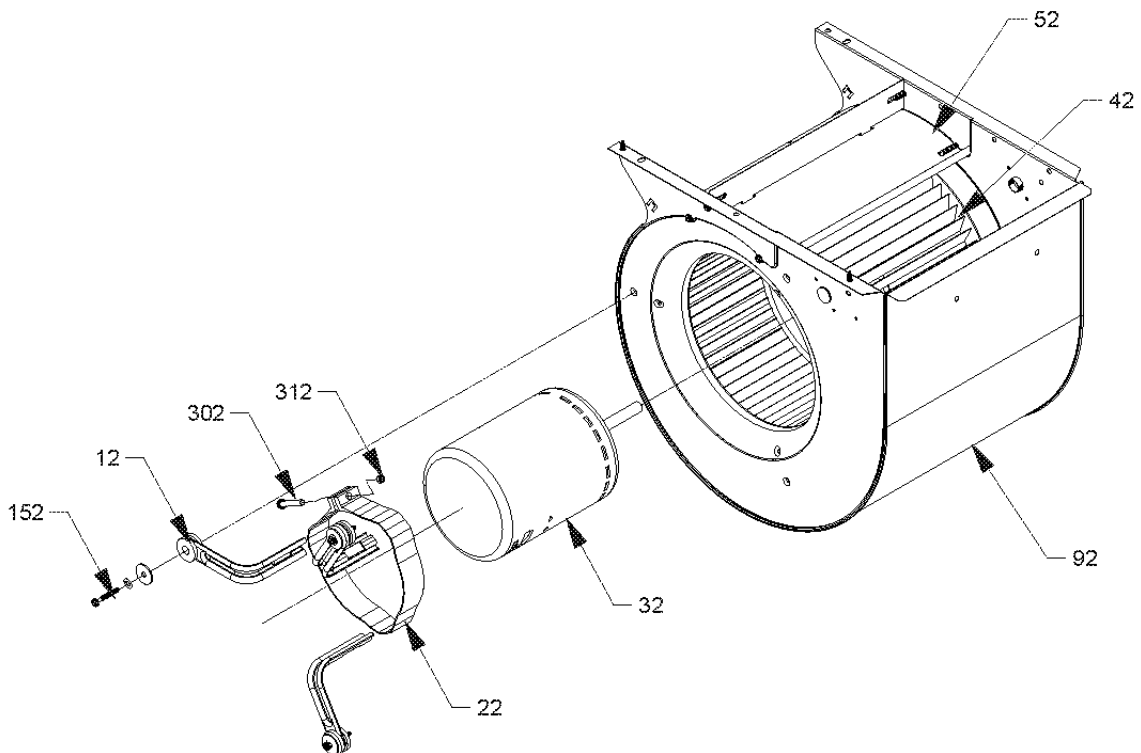


Image 2



# Control Panel & Blower Assembly

Ref. Part No: No:	Description:	Ref. Part No: No:	Description:
-------------------	--------------	-------------------	--------------

**Image 1:**

11	PCBDM133	DEFROST CONTROL BOARD
61	CONT1P025024V	CONTACTOR 25 AMP, 1P, 24V (M1, M2, M3)
61	CONT1P030024V	CONTACTOR 30 AMP, 1P, 24V (M4)
61	CONT2P040024V	CONTACTOR 40 AMP, 2P, 24V (M5)
71	0130M00138	TRANSFORMER 208/230, 24V
81	CAP050300440CS	CAP,5/30MFD/440V/DUAL RD (M5)
81	CAP050350440CS	CAPACITOR 5/35/440V (M1)
81	CAP050400440CT	CAPACITOR 5/40/440V/DUAL RD (M2, M3)
81	CAP050450440CT	CAPACITOR 5/45/440V/DUAL RD (M4)
91	20520901	CAPACITOR STRAP
111	0130M00242	24V RELAY
NS	0259G00158	COMPRESSOR HARNESS ASSEMBLY (M4, M5)
NS	0259G00168	COMPRESSOR HARNESS ASSEMBLY (M1, M2, M3)
NS	0259G00134	HARNESS, CONTROL

**Image 2:**

12	B1376857	MOTOR MOUNT ARM (QTY 3)
22	0121M00038	MOTOR MOUNT BAND
32	0131G00030	PROGRAMMED MOTOR (M3)
32	0131G00032	PROGRAMMED MOTOR (M5)
32	0131G00084	PROGRAMMED MOTOR (M1)
32	0131G00085	PROGRAMMED MOTOR (M2)
32	0131G00086	PROGRAMMED MOTOR (M4)
42	D6723303	BLOWER WHEEL
52	764742	BLOWER BLOCK-OFF
92	0271G00024	BLOWER HOUSING ASSY 10 X 9
152	M0250565	TC SCREW 1.25" (QTY 3)
302	B1393323	MACHINE SCREW HWH 1/4-20 X 1-1/2 BZ
312	B1393800	LOCKNUT, NYLON, INSERT 1/4, 20

**Expanded Model Nomenclature**

M1 - GPH1624M41AA
M2 - GPH1630M41AA
M3 - GPH1636M41AA
M4 - GPH1642M41AA
M5 - GPH1648M41AA